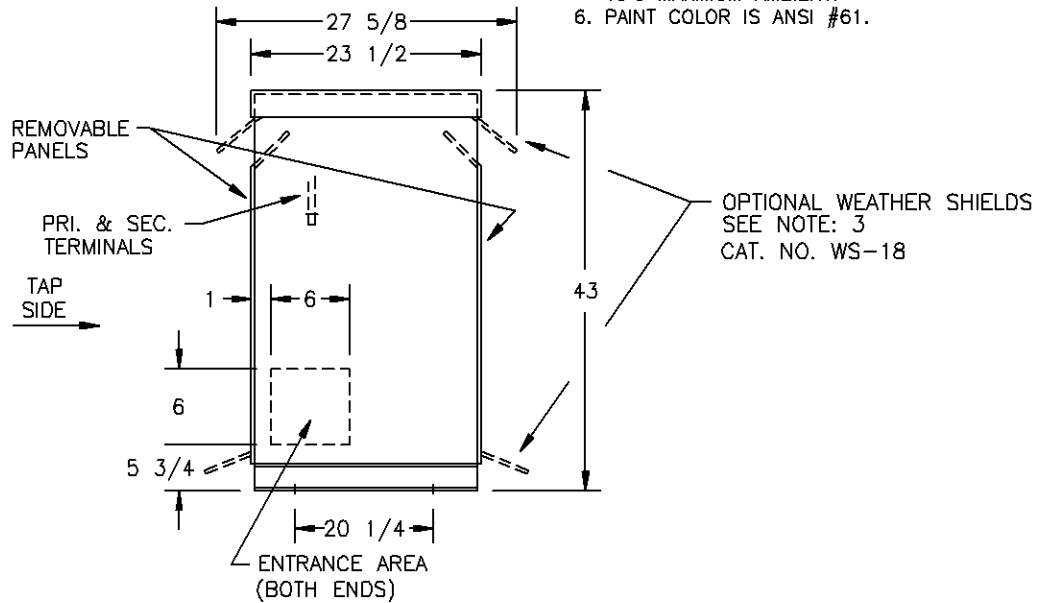
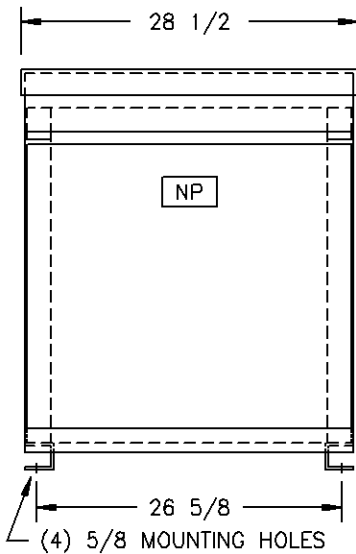


**NOTES:**

1. ALL UNITS ARE UL LISTED AND ARE DESIGNED IN ACCORDANCE WITH APPLICABLE NEMA, ANSI, AND IEEE STANDARDS.
2. TRANSFORMERS ARE DRY-TYPE, CLASS AA, VENTILATED NEMA 2 ENCLOSURE FOR INDOOR USE.
3. WITH INSTALLATION OF OPTIONAL WEATHER SHIELDS, TRANSFORMER BECOMES NEMA 3R FOR OUTDOOR USE.
4. TRANSFORMERS ARE FLOOR MOUNTED. WALL MOUNTING BRACKETS ARE OPTIONAL AND ARE SUPPLIED AS SEPARATE ACCESSORIES.
5. TRANSFORMERS HAVE 220°C CLASS INSULATION SYSTEM WITH THE AVERAGE WINDING TEMPERATURE RISE BASED ON 40°C MAXIMUM AMBIENT.
6. PAINT COLOR IS ANSI #61.



**UNIT WEIGHT REF. (D)**

NET WT. IN LBS.	A	B	C	D	E
ALUMINUM	515	520	595	675	710
COPPER	550	580	670	750	835

\* ELECTROSTATIC SHIELD GROUNDED TO TRANSFORMER CASE AT FACTORY IF APPLICABLE

<input type="checkbox"/>	DRAWINGS APPROVAL
<input type="checkbox"/>	RECORD
<input checked="" type="checkbox"/>	OTHER

QUANTITY		CUST.		
KVA	112.5	JOB		
PRIMARY VOLTAGE	480	P.O.		
SECONDARY VOLTAGE	208Y/120	S.O.		
TEMPERATURE RISE IN °C	150	CATALOG NO.	T4T112E	
WINDINGS & TERMINALS	<input checked="" type="checkbox"/> ALUMINUM <input type="checkbox"/> COPPER			
FREQUENCY	60	BY	SV	ENG. LOG.
TAPS	+2, -4 X 2.5%	DATE	7/17/02	TITLE TP1 ENERGY EFFICIENT COMPLIANT DRY TYPE TRANSFORMER GENERAL PURPOSE THREE PHASE, 600 VOLT CLASS
<b>FEDERAL PACIFIC</b>		REV	1	MFG. LOG.
		DATE:	8/22/02	DWG. FILE
				DWG. NO. D4808A3224-