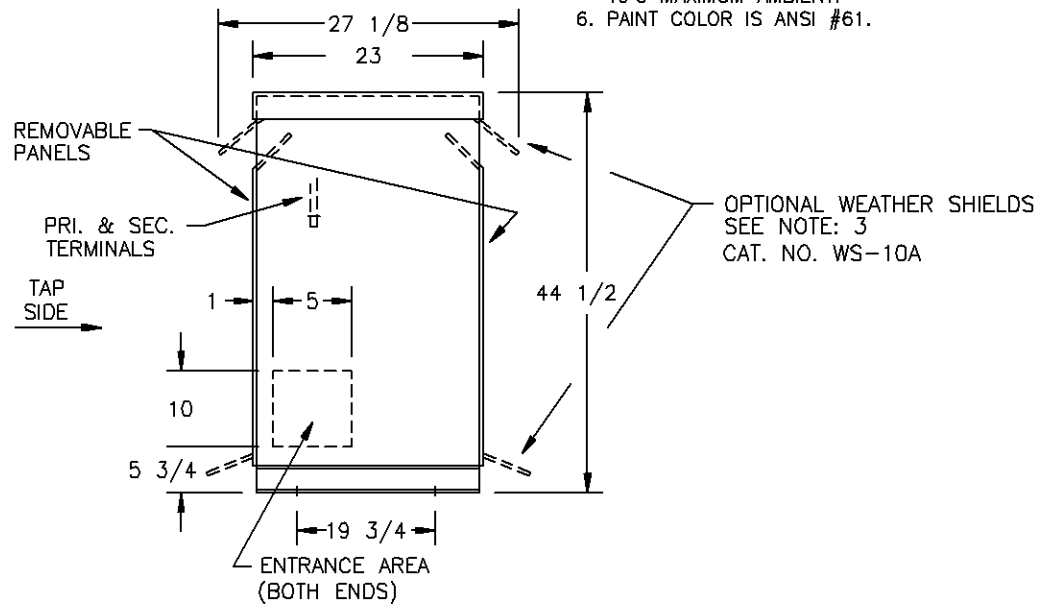
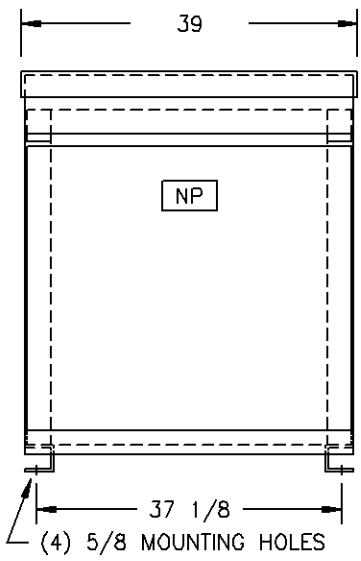
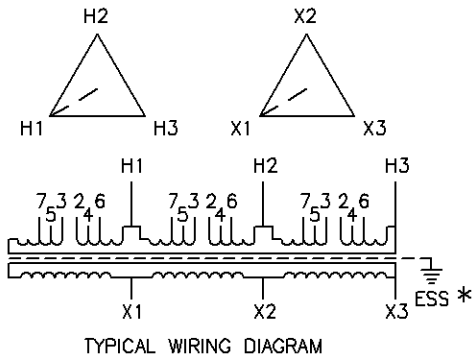
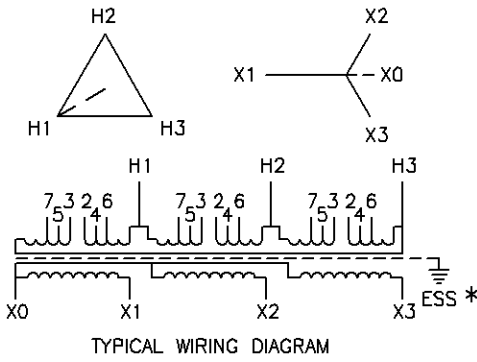


NOTES:

1. ALL UNITS ARE UL LISTED AND ARE DESIGNED IN ACCORDANCE WITH APPLICABLE NEMA, ANSI, AND IEEE STANDARDS.
2. TRANSFORMERS ARE DRY-TYPE, CLASS AA, VENTILATED NEMA 2 ENCLOSURE FOR INDOOR USE.
3. WITH INSTALLATION OF OPTIONAL WEATHER SHIELDS, TRANSFORMER BECOMES NEMA 3R FOR OUTDOOR USE.
4. TRANSFORMERS ARE FLOOR MOUNTED. WALL MOUNTING BRACKETS ARE OPTIONAL AND ARE SUPPLIED AS SEPARATE ACCESSORIES.
5. TRANSFORMERS HAVE 220°C CLASS INSULATION SYSTEM WITH THE AVERAGE WINDING TEMPERATURE RISE BASED ON 40°C MAXIMUM AMBIENT.
6. PAINT COLOR IS ANSI #61.



UNIT WEIGHT REF. (B)

NET WT. IN LBS.	A	B	C
ALUMINUM	960	1140	995
COPPER	1050	1270	1150

* ELECTROSTATIC SHIELD GROUNDED TO TRANSFORMER CASE AT FACTORY IF APPLICABLE

<input type="checkbox"/> APPROVAL
<input type="checkbox"/> RECORD
<input checked="" type="checkbox"/> OTHER

QUANTITY		CUST.		
KVA	150	JOB		
PRIMARY VOLTAGE	480	P.O.		
SECONDARY VOLTAGE	208Y/120	S.O.		
TEMPERATURE RISE IN °C	150	CATALOG NO.	T4T150E	
WINDINGS & TERMINALS	<input checked="" type="checkbox"/> ALUMINUM <input type="checkbox"/> COPPER			
FREQUENCY	60	BY	ENG. LOG.	TITLE TP1 ENERGY EFFICIENT COMPLIANT DRY TYPE TRANSFORMER GENERAL PURPOSE THREE PHASE, 600 VOLT CLASS
TAPS	+2, -4 X 2.5%	DATE		
FEDERAL PACIFIC	REV	3	MFG. LOG.	DWG. NO.
	DATE:	3/21/03	DWG. FILE	D4808A3225-