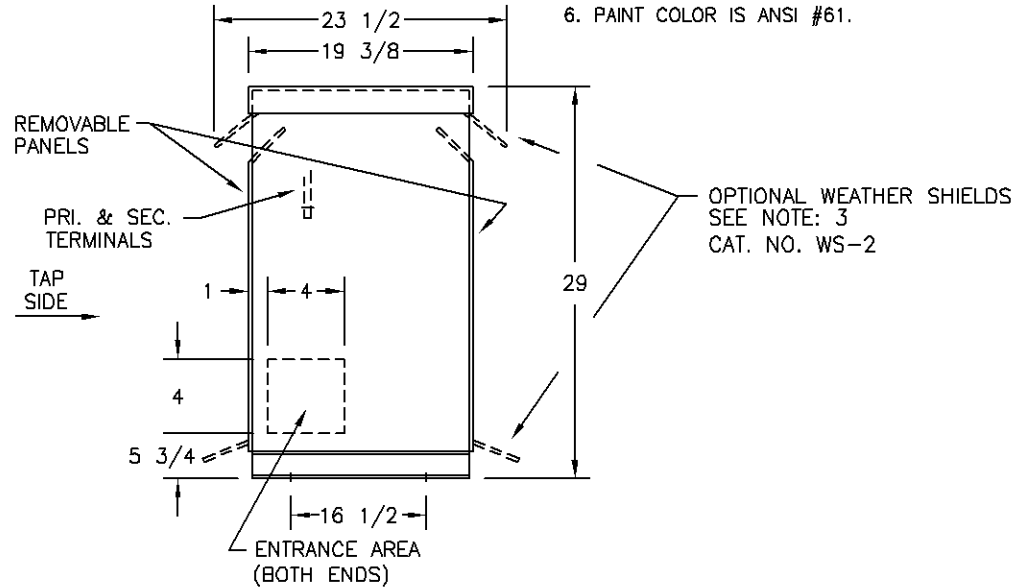
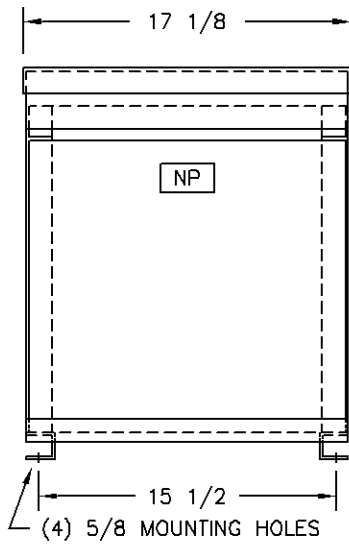


**NOTES:**

1. ALL UNITS ARE UL LISTED AND ARE DESIGNED IN ACCORDANCE WITH APPLICABLE NEMA, ANSI, AND IEEE STANDARDS.
2. TRANSFORMERS ARE DRY-TYPE, CLASS AA, VENTILATED NEMA 2 ENCLOSURE FOR INDOOR USE.
3. WITH INSTALLATION OF OPTIONAL WEATHER SHIELDS, TRANSFORMER BECOMES NEMA 3R FOR OUTDOOR USE.
4. TRANSFORMERS ARE FLOOR MOUNTED. WALL MOUNTING BRACKETS ARE OPTIONAL AND ARE SUPPLIED AS SEPARATE ACCESSORIES.
5. TRANSFORMERS HAVE 220°C CLASS INSULATION SYSTEM WITH THE AVERAGE WINDING TEMPERATURE RISE BASED ON 40°C MAXIMUM AMBIENT.
6. PAINT COLOR IS ANSI #61.



**UNIT WEIGHT REF. (C)**

NET WT. IN LBS.	A	B	C	D
ALUMINUM	145	160	185	215
COPPER	165	195	200	240

\* ELECTROSTATIC SHIELD GROUNDED TO TRANSFORMER CASE AT FACTORY IF APPLICABLE

DRAWINGS
<input type="checkbox"/> APPROVAL
<input type="checkbox"/> RECORD
<input checked="" type="checkbox"/> OTHER

QUANTITY	1	CUST.	
KVA	15	JOB	
PRIMARY VOLTAGE	480	P.O.	
SECONDARY VOLTAGE	208Y/120	S.O.	
TEMPERATURE RISE IN °C	150	CATALOG NO.	T4T15E
WINDINGS & TERMINALS	<input checked="" type="checkbox"/> ALUMINUM <input type="checkbox"/> COPPER		
FREQUENCY	60	BY	SV
TAPS	+2, -4 X 2.5%	DATE	7/17/02
<b>FEDERAL PACIFIC</b>		REV	2
		DATE	11/20/03
		ENG. LOG.	TITLE
		MFG. LOG.	TP1 ENERGY EFFICIENT COMPLIANT DRY TYPE TRANSFORMER GENERAL PURPOSE THREE PHASE, 600 VOLT CLASS
		DWG. NO.	
		DWG. FILE	D4808A3221-