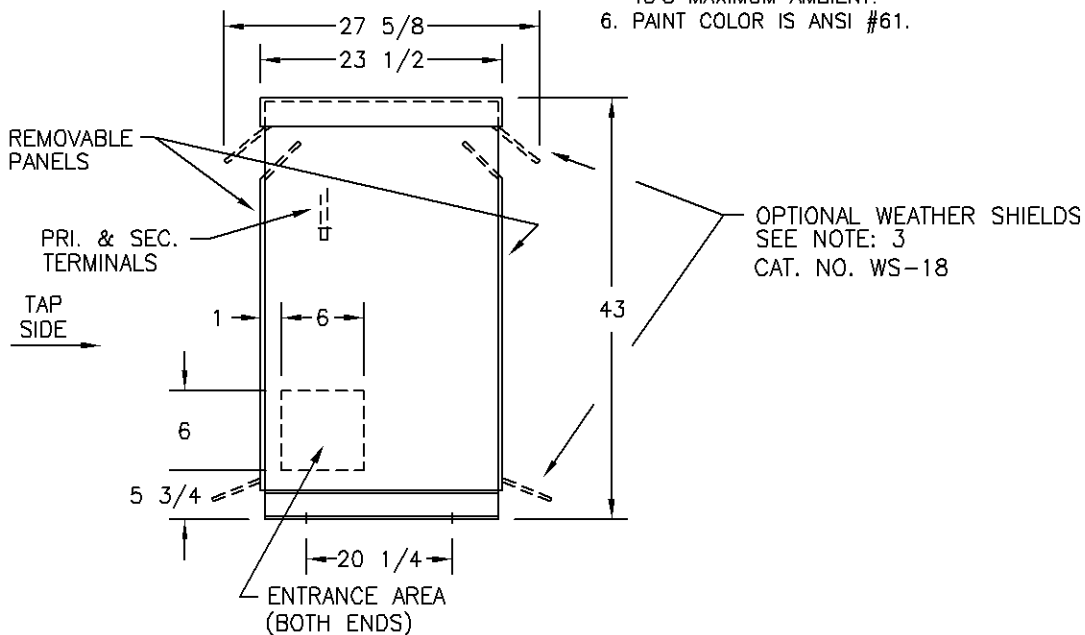
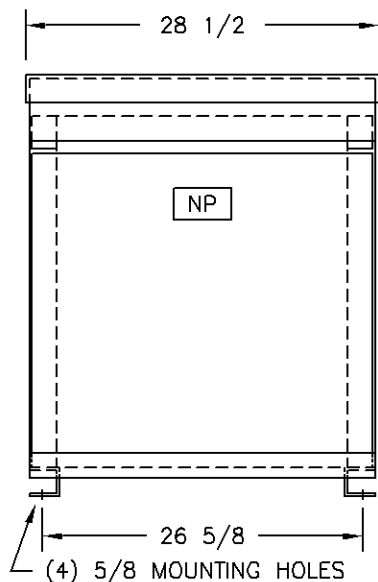
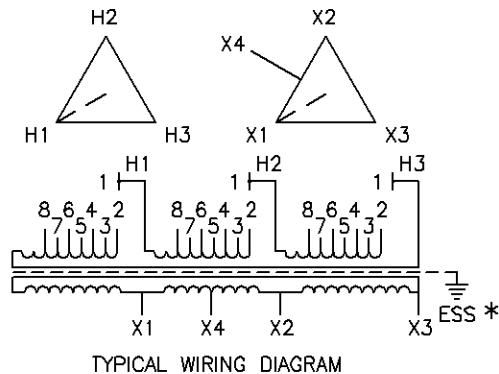
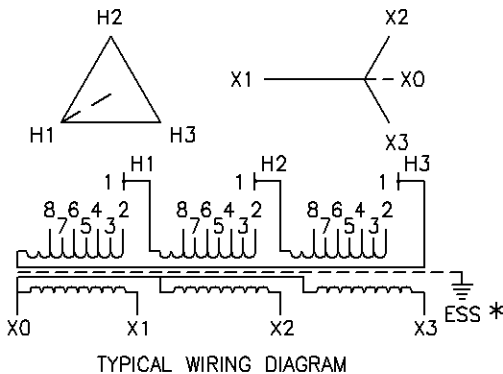


X4 LIGHTING TAP
IF APPLICABLE

NOTES:

1. ALL UNITS ARE UL LISTED AND ARE DESIGNED IN ACCORDANCE WITH APPLICABLE NEMA, ANSI, AND IEEE STANDARDS.
2. TRANSFORMERS ARE DRY-TYPE, CLASS AA, VENTILATED NEMA 2 ENCLOSURE FOR INDOOR USE.
3. WITH INSTALLATION OF OPTIONAL WEATHER SHIELDS, TRANSFORMER BECOMES NEMA 3R FOR OUTDOOR USE.
4. TRANSFORMERS ARE FLOOR MOUNTED. WALL MOUNTING BRACKETS ARE OPTIONAL AND ARE SUPPLIED AS SEPARATE ACCESSORIES.
5. TRANSFORMERS HAVE 220°C CLASS INSULATION SYSTEM WITH THE AVERAGE WINDING TEMPERATURE RISE BASED ON 40°C MAXIMUM AMBIENT.
6. PAINT COLOR IS ANSI #61.



UNIT WEIGHT REF. (D)

NET WT. IN LBS.	A	B	C	D	E
ALUMINUM	515	520	595	675	710
COPPER	550	580	670	750	835

ADDITIONAL FEATURES:

- * ELECTROSTATIC SHIELD GROUNDED TO TRANSFORMER CASE AT FACTORY IF APPLICABLE
- SUITABLE FOR NONSINUSOIDAL CURRENT LOAD WITH K-FACTOR NOT TO EXCEED K-13

DRAWINGS	
<input type="checkbox"/>	APPROVAL
<input checked="" type="checkbox"/>	RECORD
<input type="checkbox"/>	OTHER

QUANTITY		CUST.	
KVA	75	JOB	
PRIMARY VOLTAGE	480	P.O.	
SECONDARY VOLTAGE	208Y/120	S.O.	
TEMPERATURE RISE IN °C	150	CATALOG NO.	T4T75K13
WINDINGS & TERMINALS	<input checked="" type="checkbox"/> ALUMINUM <input type="checkbox"/> COPPER	BY	SV
FREQUENCY	60	ENG. LOG.	TITLE
TAPS	+2, -4 x 2.5%	DATE	7/17/02
FEDERAL PACIFIC		REV	1
		DATE:	8/22/02
		MFG. LOG.	DWG. NO.
		DWG. FILE	D4808A3224-